

E140P

COMPACT II

13,3 m

The GSR E140P platform combines the traditional rigidity and strength with the versatility of the telescopic articulated boom. The result is a compact and reliable machine.

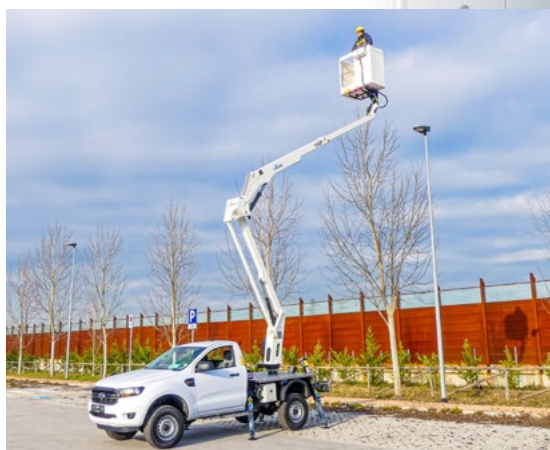
The particular geometry allows the installation on pick-up, allowing to reach areas of work that are inaccessible to traditional machines.

Individual outrigger controls allow simple and quick levelling on uneven surfaces. The electro-hydraulic controls are precise and reliable, simplifying the hydraulic system and allowing all manoeuvres even from the ground and the eventual electrical insulation of the boom from the basket and from the vehicle.

The height of 13,3 meters and the outreach of 6 meters can be reached with 250kg in the basket.



EN

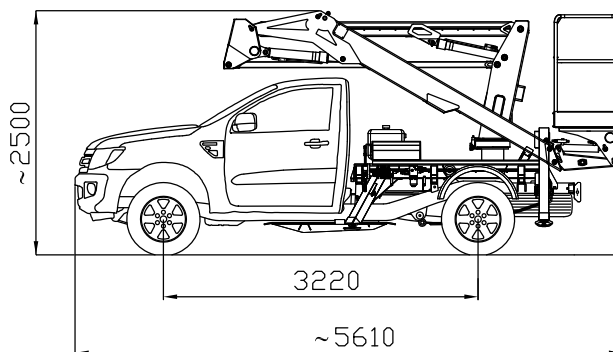
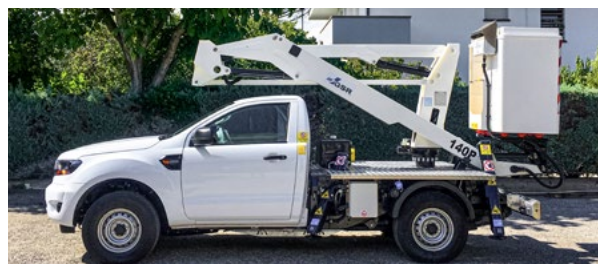
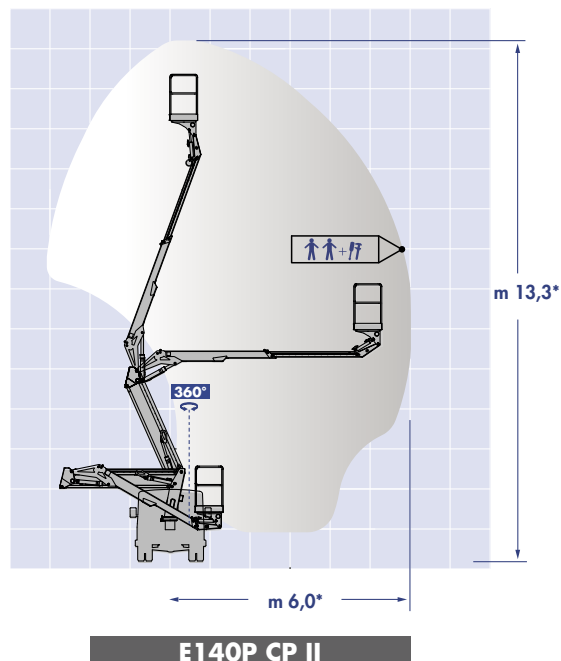


E140P COMPACT II



E140P COMPACT II

- Basket capacity of 250kg without restrictions
- Lateral outreach of 6 meters fully loaded
- Intuitive and simple controls
- Advanced security systems, precise and immediate in use
- Single or double insulation (optional)
- Light weight but robust structure with high residual load
- Compact and balanced on the road like a normal car
- Extremely compact: only 5,61 m length and 1,87 m width in running order
- Easy and intuitive, ideal for self-drive hire



MODEL	Working Height (m)	Max. Outreach (m)	Basket Capacity (kg)	Turret Rotation (°)	GVW min. (to)
E140P CP II	13,3	6,0	250	360	3,2



GSR S.p.A. a socio unico | Via Lea Giaccaglia, 5 - 47924 Rimini (RN) - Italia
Tel. + 39 0541 397811 | Fax + 39 0541 384491 | www.gsrspa.it | sales@gsrspa.it

Company with Quality Management System certified by DNV
- ISO 9001:2015 and ISO 45001:2018



Dealer